

OMNIDIRECTIONAL

OPV 1001

Laser Multi-barcode Scanner



An omni-directional barcode scanner that provides the flexibility to switch between handheld and presentation modes and has a small form factor that conserves valuable work space.

Product Features

Small Footprint with Mounting Flexibility

In addition to a small-footprint and mounting holes on the base, the OPV 1001 has the flexibility to be used as freestanding unit or with an optional low profile stand.

Power Savings for Enhanced Value

The OPV 1001 has fully configurable power saving options that allow it to enter a low-power mode while not in use, yet instantly comes alive when it detects a barcode

Powerful Processor for Rapid Decoding

With its unique blend of performance, ergonomics, several ways of use and choice of various communication interfaces, the OPV 1001 is designed to be up and running in a short time for a wide range of applications.

Application Versatility on Demand

With its unique blend of performance, ergonomics, several ways of use and choice of various communication interfaces, the OPV 1001 is designed to be up and running in a short time for a wide range of applications.

Cabled

Wireless

Stationary

OEM

OPTICON
always scanning for new ID's

Specifications

OPV 1001 Laser Multi-barcode Scanner

Electrical specifications

Voltage requirement: 5 V ± 5%

Current consumption: max. 500mA

Optical specifications

Light source: 650 nm visible laser diode

Scan rate: up to 100 scans/sec

Reading pitch angle: -35 to 0°, 0 to +35°

Reading skew angle: -50 to -8°, +8 to +50°

Reading tilt angle: 360°

Curvature: R>20 mm (EAN8), R>25 mm (EAN13)

Min. resolution at PCS 0.9: 0.127 mm / 5 mil

Min. PCS value: 0.45

Depth of field: at PCS 0.9, Code 39

10 - 360 mm / 0.39 - 14.17 in (res. 0.66 mm / 26 mil),

10 - 200 mm / 0.39 - 7.87 in (res. 0.33 mm / 13 mil),

10 - 90 mm / 0.39 - 3.54 in (res. 0.2 mm / 8 mil),

20 - 60 mm / 0.79 - 2.36 in (res. 0.127 mm / 5 mil)

Field of view: horizontal: 22°, vertical: 12°

Communication specifications

Available interfaces: RS232C, Keyboard Wedge, USB(HID/VCP)

Identification

Supported barcode symbologies (1D): JAN/UPC/EAN (WPC) incl. add on, Chinese Post, Codabar/NW-7, Code 11, Code 39, Code 93, Code 128, IATA, Industrial 2of5, Interleaved 2of5, ISBN-ISMN-ISSN, Matrix 2of5, MSI/Plessey-UK/Plessey, S-Code, Telepen, Tri-Optic

Environmental specifications

Temperature in operation: 0 to 40 °C / -32 to 104 °F

Temperature in storage: -30 to 60 °C / -22 to 140 °F

Humidity in operation: 20 - 90 % (non-condensing)

Humidity in storage: 20 - 90 % (non-condensing)

Ambient fluorescent light rejection: 3,000 lx max.

Ambient direct sun light rejection: 20,000 lx max.

Ambient incandescent light rejection: 3,000 lx max.

Shock drop test: 1 m / 3 ft drop onto concrete surface

Shock vibration test: 10 - 100 Hz with 2 G for 1 hour

Physical specifications

Dimensions: 71 x 79.4 x 100 mm / 2.80 x 3.13 x 3.94 in (excl. stand)

Case material: ABS

Weight body: Ca. 200 g / 7.1 oz (excl. cable)

Connector Keyboard Wedge: MiniDIN6 F with external power

Connector RS232: DB9 F with external power

Connector USB: USB-A

Stand

Dimensions: 100 x 112 x 145 mm / 3.94 x 4.41 x 5.71 in (excl. scanner)

Weight: Ca. 340 g / 12.0 oz

Purpose: Auto-trigger stand

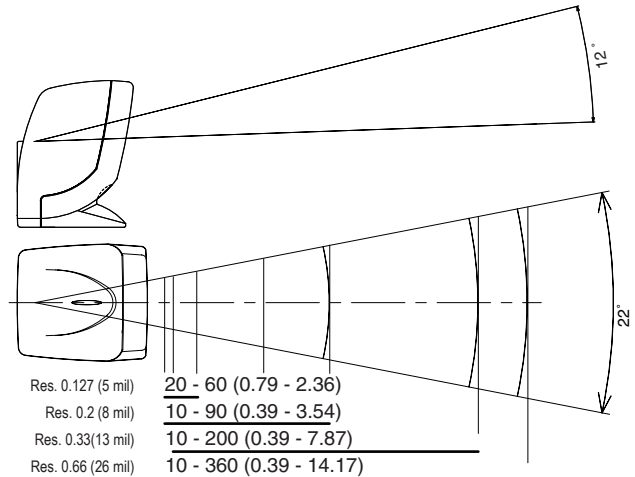
Regulatory

Laser safety class: JIS-C-6802 Class 1, IEC 60825-1 Class 1, FDA CDRH Class I

EMC / Product compliance: CE, FCC, VCCI, RoHS

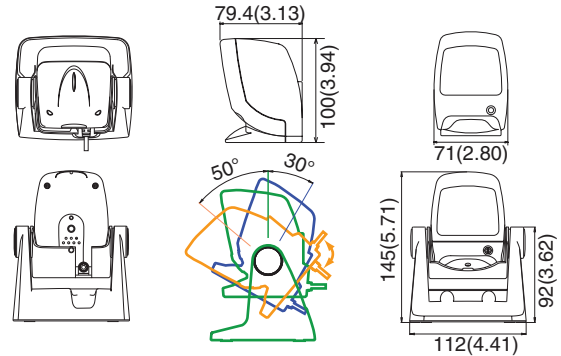
Depth Of Field

unit: mm (inches)



Dimension

unit: mm (inches)



Enclosed items

Power supply: 5V / 2A (External power for RS232, Keyboard Wedge)